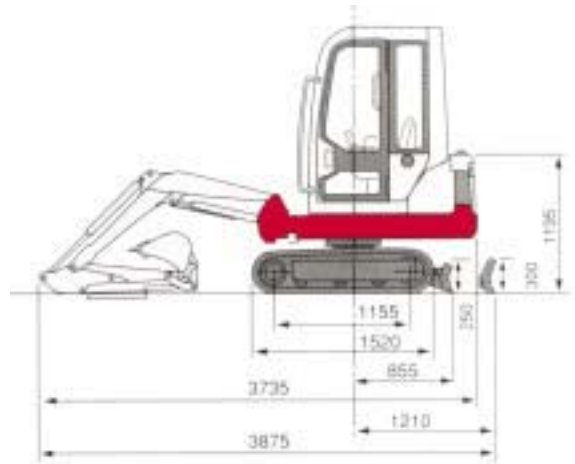
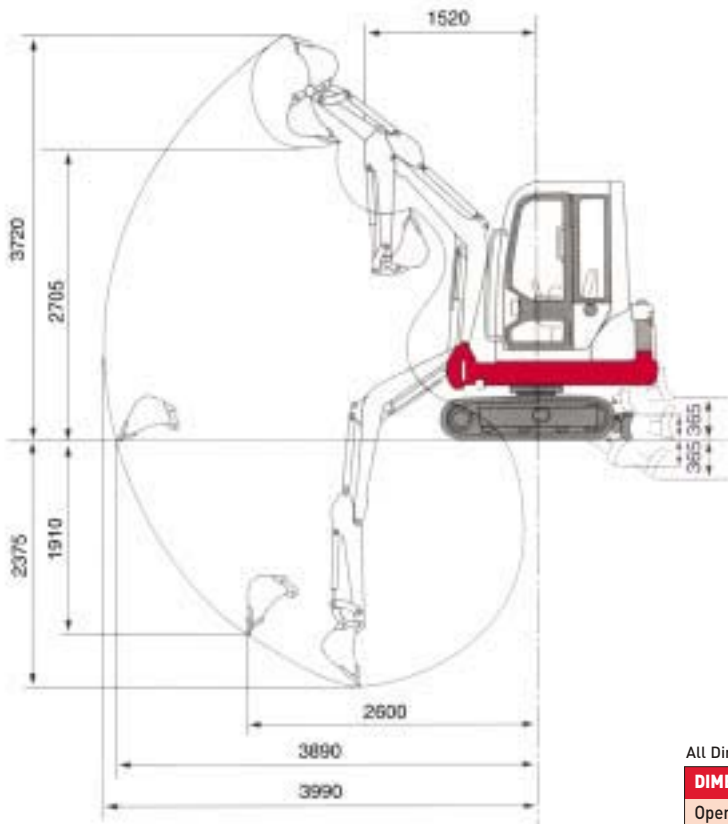
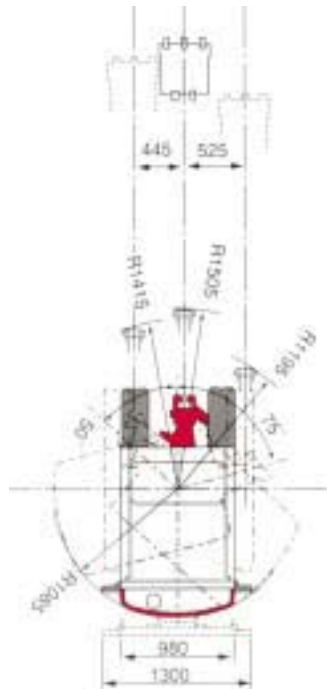
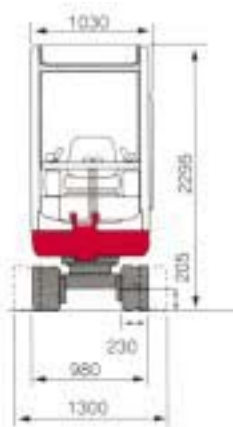


TB016

OPERATING RANGE



In accordance with our established policy of constant improvement, we reserve the right to amend these specifications at any time without notice. Photographs shown may feature non-standard equipment.



All Dimensions unless otherwise stated are in millimeters

DIMENSIONS & WEIGHT		OPERATING INFORMATION	
Operating Weight (kg)		Max. Dig Depth	2375
Cab/Canopy	1615/1500	Max. Dump Height	2705
Length (transport)	3875	Max. reach at ground level	3890
Width	1030	Max. Vertical Dig Depth	1910
Height (Cab/Canopy)	2295/2280	Max. Bucket Dig Force (Kn)	13.1
Ground Clearance	205	Max. Arm Dig Force (Kn)	9
Min front swing radius (Cab/Canopy)	1210/1050	UNDERCARRIAGE	
Tail swing radius	1085	Traction Motor	Axial Piston
Dozer Blade (lwxh)	980-1300x300	Traction Drive	Planetary
ENGINE		Traction Brake	Disc
Make/Model	Yanmar3TNE68-NTB	Track Width	230
Rated Output/RPM	9kW/2300	Ground Contact Length	1155
Maximum Torque	51Nm	Ground Pressure (kpa)	24.9
Cylinders/Displacement	3/784cc	Travel Speed (K/ph)	2.4/4.6
Electrical System	12volt 40amp	Maximum Gradeability	30°
SWING SYSTEM		HYDRAULIC SYSTEM	
Boom Swing angle (L/R)	75°/50°Cab90°/50°Canopy	Set Pressure (bar)	200
Slew Speed (rpm)	9	Pump Type	Variable(P1+P2)+Gear(P3)
Slew Motor	Orbital Piston	Hydraulic Flow (l/min)	16.4x2+10.1
Slew Brake	Disc	Auxiliary Flow (l/min)	33
		CAPACITIES (l)	
		Hydraulic system	33.5
		Fuel tank	21
		Engine Lubrication	2.8
		Cooling System	2.9

TAKEUCHI

Takeuchi Mfg (UK) Ltd, Lynroyle Way, Rochdale, Lancs OL11 3EX Tel: 01706 657722 Fax: 01706 657744
e-mail: sales@takeuchi-mfg.co.uk www.takeuchi-mfg.co.uk

Southern Office at Thatcham, Newbury Tel: 01635 877 196 Fax: 01635 877 195

Specification

Engine	
Make	Yanmar
Model	3TNE68-NTB
Rated Output (kW)/RPM	9.0/2300
Maximum Torque (Nm)	51
Cylinders	3
Displacement (cc)	784
Electrical System	12volts 40amp
Dimensions & Weight	
Operating Weight: Cab/Canopy (kg)	1615/1500
Length (Transporting) (mm)	3875
Width with Canopy (mm)	1030
Width with Fold Down Bar (mm)	
Height :Cab/Canopy (mm)	2295/2280
Height with Bar Raised (mm)	
Height with Bar Down (mm)	
Ground Clearance (mm)	205
Min.Front Swing Radius (mm)	
Cab/Canopy (mm)	1210/1050
90 Degree Boom Swing (mm)	
80 Deg Boom Swing (mm)	
30 Deg Boom Swing (mm)	
Tail Swing Radius (mm)	1085
Dozer Blade (W x H) (mm)	980-1300x300
Rear Slew Radius(mm)	
Blade Range Up/Down	

Operating Information	
Max Digging Depth (mm)	2375
Max Dump Height (mm)	2705
Max Reach at Ground Level (mm)	3890
Max Vertical Digging Depth (mm)	1910
Max Bucket Digging Force (Kn)	13.1
Max Arm Digging Force (Kn)	9
Hydraulic System	
Set Pressure (bar)	200
Pump Type	Variable(P1+P2)+Gear(P3)
Hydraulic Flow (l/min)	16.4x2+10.1
Auxiliary Flow (l/min)	33
Swing System	
Boom Swing Angle (L/R)	75deg/50deg Cab 90deg/50deg Canopy
Slew Speed (rpm)	9
Slew Motor	Orbital Piston
Slew Brake	Disc
Undercarriage	
Traction Motor	Axial Piston
Traction Drive	Planetary
Traction Brake	Disc
Track Width (mm)	230
Ground Contact Length (mm)	1155
Ground Pressure (kpa)	24.9
Travel Speed (K/ph)	2.4/4.6
Maximum Gradeability	30 deg
Capacities	
Hydraulic System (l)	33.5
Fuel Tank (l)	21
Engine Lubrication (l)	2.8
Cooling System (l)	2.9